



Ever since it was founded in 1980, Dental X has had a very clear mission: to design and build extremely reliable and efficient products for sterilising medical and surgical equipment. Autoclaves and accessories that help dentists and their assistants to always ensure the highest levels of safety and hygiene in their practice, in full compliance with applicable international regulations. The products' technical and technological quality goes hand in hand with a typically Italian style of focus on their design, which hones in on creating technical and functional features. The class B dxp Domina autoclave – where dxp stands for Dental X Experience – is the most perfect example of this aptitude and these values, which are renowned throughout the world. In 2019, Dental X became the Sales Division of NSK Dental Italy, a new branch created in Italy by the Japanese multinational. It represents the natural evolution of an almost 40-year long history of excellence, which makes the most of its solid network of partners that has been built up over time and shaped to guarantee a diligent sales service and the best technical assistance.





Dxp Domina

p. 4-6

Purity

p. 7

Accessories

p. 11

DX 17

p. 8-10



NewSeal

p. 12-14



Dxp Domina

When it comes to sterilisation, Domina has always been a point of reference. The autoclave renowned for its extraordinary reliability, the high performance of its copper chamber, and excellent loading capacity is the top of the **dxp** range and stands out for its Italian elegance and functionality.





SAFE

The data of every sterilisation cycle are traceable, in compliance with the applicable standards in force, thanks to the built-in printer or optional USB Log and External printer.



RELIABLE

Domina, with its 18L chamber, was designed to be long-lasting, by using innovative and high quality components.



GENTLE

The Adaptive Heat system eliminates thermal shocks and sterilises turbines and handpieces, thereby minimising the risk of damaging them.



AFFORDABLE

Its reliability minimises maintenance, which, together with its energy efficiency and low consumption, leads to lower costs.



Domina is the expression of **dxp**'s strength, which oozes from every detail, thereby ensuring everything you need to make your job simple and effective. The built-in printer to ensure the traceability of every sterilisation cycle, the bacteriological filter, the practical tank lid, and clean water/dirty water taps are a few examples.

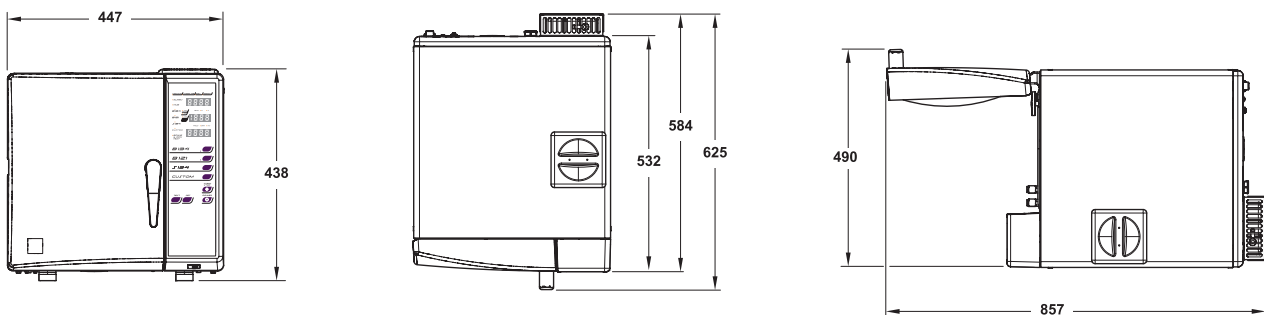


Dxp Domina

STERILISATION CYCLES

Cycle	Temperature	Sterilization	Drying phase	Vacuum	Cycle type	Max load
B134	134° C	5'	10'	3	B	4 kg solid - 1,5 kg porous
B121	121° C	20'	11'	3	B	4 kg solid - 1,5 kg porous
S134	134° C	3'	5'	2	S	4 kg solid
CUSTOM	105-135° C	3'-9'	5'-12'	2-3-4		4 kg solid - 1,5 kg porous
HELIX TEST	134° C	3'30"	10'	3	TEST	
B&D TEST	134° C	3'30"	10'	3	TEST	
VACUUM TEST	< 35° C			3		

TECHNICAL SHEET



TECHNICAL DATA

	DXP DOMINA - 18 L
OVERALL DIMENSIONS	447 x 438 x 625 mm (L x H x D)
CHAMBER DIMENSIONS	Ø 240 - 384 mm (D)
CHAMBER SIZE	17,5 L
WEIGHT (empty)	45 kg
POWER SUPPLY VOLTAGE	230 V 50/60 Hz
POWER CONSUMPTION	900 W - 1920 W
OPERATING TEMPERATURE	+10 - +40°C
ALTITUDE	between 0 and 2000 metres above sea level
OPERATING RANGE	Indoor use Relative humidity 85% Maximum line-voltage deviation ±10% Installation category II Pollution level 2
USABLE SPACE	180x282x160 mm LxDxH
WATER CONSUMPTION VOLUME	0,6 litres
TANK CAPACITY (clean water and used water)	4 litres each
AUTO SWITCH-OFF	After 30' of stand by at the end of cycle

SAFETY DEVICES

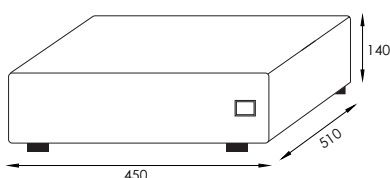
- Protection from blackout
- Protection from short-circuit
- Protection from overheating
- Protection from over pressure
- Protection from accidental opening of door
- Process evaluation system
- Auto diagnosis system in real time
- Adaptive Heat system
- Automatic switch off

Purity

Purity is a fully automated special reverse osmosis system that complies with the EN 1717 standard. It comes with 3 filters and goes on top of the autoclave to connect it to the water supply and produce 1,000 to 2,000 litres of high-quality demineralised water. This means that you can carry out 2,000 to 4,000 sterilisation cycles, depending on the autoclave's consumption.



TECHNICAL SHEET



TECHNICAL DATA

	PURITY
OVERALL DIMENSIONS	450 x 140 x 510 mm (L x H x D) installed
WEIGHT (empty)	10 kg
POWER SUPPLY	230Vca 50-60Hz / 24Vca - 800mA
Max consumption	27VA
Water supply	0,4-6 bar, min. 2 l/min
OUTLET	2 l/min

DX 17



DX 17 is the S Class autoclave that was specifically designed to sterilise reusable medical and dental devices. DX 17, with its 6L capacity, assures to sterilise unwrapped solid tools and porous products, small porous items, pots and containers, single-wrapped or multiple-layer wrapped products. A clear and essential graphic interface makes it an user-friendly working partner.





COMPACT

DX 17 weights 21 kg only and has a neat and essential design, allowing to place it anywhere conveniently.



CAPACIOUS

Small size but capacious at the same time, with a 6L chamber.



Essential design, in all aspects. The practical side cuts at the base allow a secure grip, in order to make transfers even more comfortable. The manual opening system and the clear and intuitive graphic interface make each action easy and even safer.

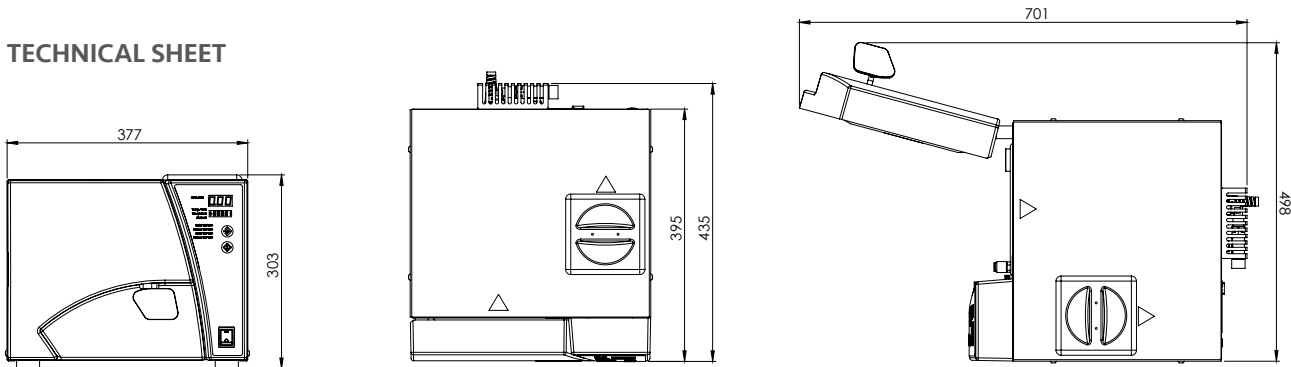


DX 17

STERILISATION CYCLES

Cycle	Temperature	Sterilization	Drying phase	Cycle type	Max load
134° SOLID	134° C	2-12'	2-12'	S-N	1-1,4 Kg
134° POROUS	134° C	14'	4-14'	S	0,2 Kg
121° SOLID	121° C	20'	2-12'	S-N	1-1,4 Kg
121° POROUS	121° C	30'	4-14'	S	0,2 Kg

TECHNICAL SHEET



TECHNICAL DATA

	DX 17 - 18 L
OVERALL DIMENSIONS	377 x 303 x 435 mm (L x H x D)
CHAMBER DIMENSIONS	170 x 276 mm (Ø x d)
CHAMBER SIZE	6,0 L
WEIGHT (empty)	21 kg
POWER SUPPLY VOLTAGE	230 V 50/60 Hz
POWER CONSUMPTION	400 W - 700 W
OPERATING TEMPERATURE	+10 - +40°C
ALTITUDE	up to 2000 meters
OPERATING RANGE	Indoor use Relative humidity 20 + 85% Temperature +10 - +40°C Atmospheric pressure 750 + 1050 mbar
WATER CONSUMPTION VOLUME	0,3 litres
TANK CAPACITY (clean water and used water)	2 litres
AUTO SWITCH-OFF	After 30' of stand by at the end of cycle

SAFETY DEVICES

- Protection from blackout
- Protection from short-circuit
- Protection from overheating
- Protection from over pressure
- Protection from accidental opening of door
- Process evaluation system
- Auto diagnosis system in real time
- Adaptive Heat system
- Automatic switch off

Accessori



External printer

A compact external printer (optional) to print out cycle-related data when needed.



Wi-Fi Log

Device that saves the sterilisation cycle data on a USB flash drive via WiFi connection. Includes 1 WiFi log, 1 flash drive, 1 connection cable.



Helix Test

Helix Test allows you to verify steam penetration into hollow instruments. The test consists of a silicone hose (measuring 1.5 mm in length and 2 mm in diameter) and a multi-parameter indicator to be placed in its housing on one end of the hose. These indicators are easy to interpret and comply with the EN 867-5 and ISO 11140-1 standards.



Cleaning Tabs

A special effervescent tablet for cleaning the chamber. Placed inside the chamber, it removes limescale and dirt residue from the boiler upon activating the cycle.



NewSeal

NewSeal is a further demonstration of Dental X's reliability. This sealer allows you to seal the surgical instrumentation before placing it inside the autoclave, thereby preserving its sterility at the end of the cycle. It is equipped with a self-adjusting heating element that produces a 10 to 11 mm seal. It starts sealing automatically upon lowering the lever.





SAFE

Its anatomical anti-scald handle is safe and simple to use, even for less experienced personnel.



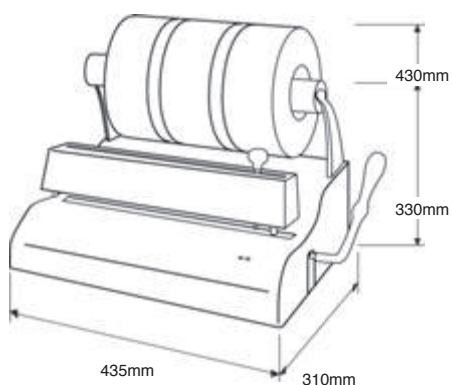
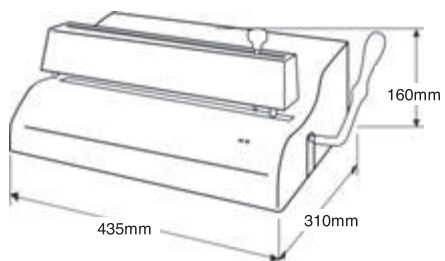
PRACTICAL

The built-in reel holder houses reels of different sizes and in different combinations.



NewSeal

TECHNICAL SHEET



TECHNICAL DATA

	NEWSEAL
DIMENSION (without rolls)	435 x 160 x 310 mm (L x H x D)
DIMENSION (with roll holder and rolls)	435 x 330/430 x 310 mm (L x H x D)
WEIGHT	7 kg
POWER SUPPLY	230 V 50/60 Hz
POWER CONSUMPTION	400 W
WELDING BAND	10 mm

